

22<sup>nd</sup> June 2018

Product Change Notification – PCN F02/2018

**SUBJECT: U120/80/20**

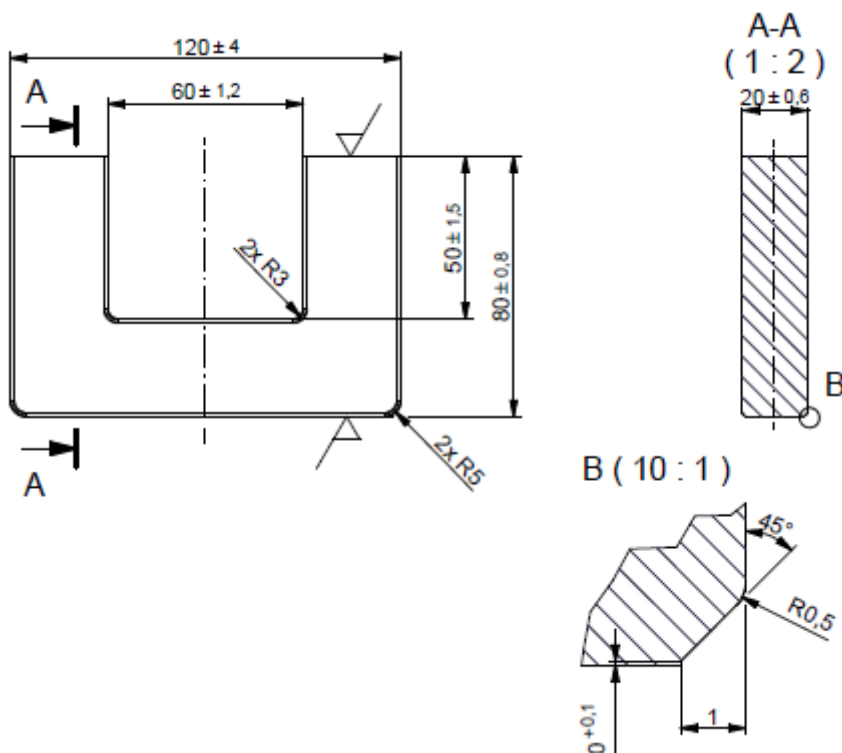
**Change concerns:**

- |   |   |                                    |
|---|---|------------------------------------|
| <input type="checkbox"/> Production             | <input checked="" type="checkbox"/> Product | <input type="checkbox"/> Packaging |
| <input type="checkbox"/> Manufacturing Location | <input type="checkbox"/> Quality            | <input type="checkbox"/> Material  |
| <input type="checkbox"/> Other                  |   |                                    |

**Change Description:**

Added chamfer on the surface as indicated on below drawing – detail B.

**Details of change:**



Part numbers which will be covered by this change are listed below in the table:

Ordering Code	SAP P/N	Description	SPQ	MOQ
432701847601	BG3UU12080204U00PP	U120/80/20-3C90	12	60
432701864031	BG3UU12080204U01PP	U120/80/20-3C90-/M	12	60

The change in product will be introduced starting from new orders, after clearing the existing inventory.

**Issued by: Ferroxcube Product Management**

For further information please contact your nearest Ferroxcube sales office, which will also support you with any additional questions. The addresses of our worldwide sales network are presented at [www.ferroxcube.com](http://www.ferroxcube.com)