

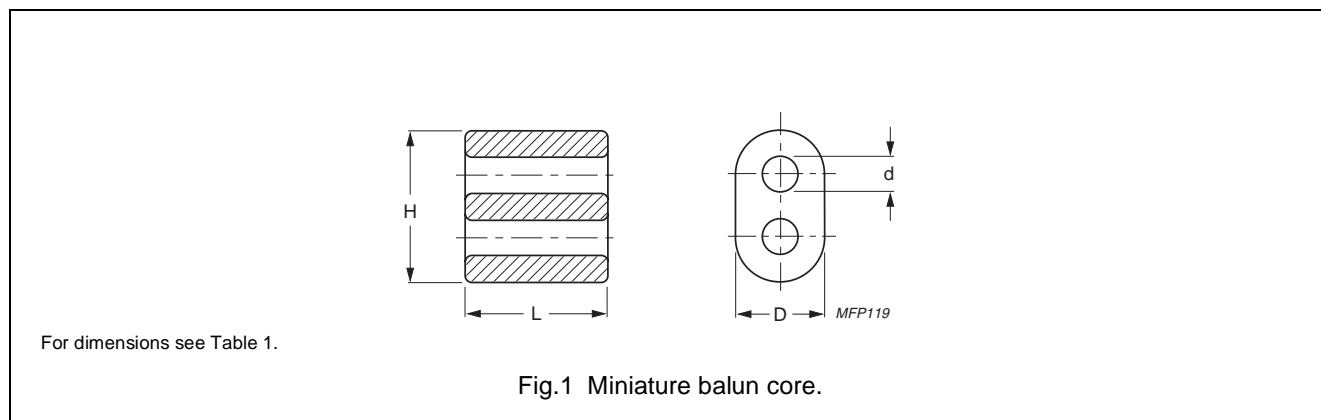
# DATA SHEET

## **Miniature balun cores EMI-suppression products**

New data

2004 Sep 01

**MINIATURE BALUN CORES**



**Table 1** Grades, parameters and type numbers, **des** ( applies to all types), see fig. 1

DIMENSIONS (mm)				GRADE	TYPE NUMBER
H	D	L	d		
3.6 – 0.3	2.1 – 0.3	1.4 ± 0.2	0.8 + 0.15	3C11	MHB2-3.6/2.1/1.4-3C11
				4A11	MHB2-3.6/2.1/1.4-4A11
				4B1	MHB2-3.6/2.1/1.4-4B1
3.6 – 0.3	2.1 – 0.3	1.8 ± 0.2	0.8 + 0.15	3C11	MHB2-3.6/2.1/1.8-3C11
				4A11	MHB2-3.6/2.1/1.8-4A11
				4B1	MHB2-3.6/2.1/1.8-4B1
3.6 – 0.3	2.1 – 0.3	2 ± 0.2	0.8 + 0.15	3C11	MHB2-3.6/2.1/2-3C11
				3C90	MHB2-3.6/2.1/2-3C90
				3E25	MHB2-3.6/2.1/2-3E25
				3E7	MHB2-3.6/2.1/2-3E7
				4A11	MHB2-3.6/2.1/2-4A11
				4B1	MHB2-3.6/2.1/2-4B1
				4C65	MHB2-3.6/2.1/2-4C65
3.6 – 0.3	2.1 – 0.3	2.5 ± 0.2	0.8 + 0.15	3C11	MHB2-3.6/2.1/2.5-3C11
				3C90	MHB2-3.6/2.1/2.5-3C90
				4A11	MHB2-3.6/2.1/2.5-4A11
				4B1	MHB2-3.6/2.1/2.5-4B1
3.6 – 0.3	2.1 – 0.3	3 ± 0.2	0.8 + 0.15	3C11	MHB2-3.6/2.1/3-3C11
				3C90	MHB2-3.6/2.1/3-3C90
				3E25	MHB2-3.6/2.1/3-3E25
				4A11	MHB2-3.6/2.1/3-4A11
				4B1	MHB2-3.6/2.1/3-4B1
3.6 – 0.3	2.1 – 0.3	3.5 ± 0.2	0.8 + 0.15	3C11	MHB2-3.6/2.1/3.5-3C11
				4A11	MHB2-3.6/2.1/3.5-4A11
				4B1	MHB2-3.6/2.1/3.5-4B1

## EMI-suppression products

## Miniature balun cores

DIMENSIONS (mm)				GRADE	TYPE NUMBER
H	D	L	d		
5.1 ± 0.3	3 ± 0.2	2 ± 0.2	1.2 ± 0.1	3C90	MHB2-5/3/2-3C90
				4A11	MHB2-5/3/2-4A11
				4B1	MHB2-5/3/2-4B1
5.1 ± 0.3	3 ± 0.2	3 ± 0.2	1.2 ± 0.1	3C90	MHB2-5/3/3-3C90
				4A11	MHB2-5/3/3-4A11
				4B1	MHB2-5/3/3-4B1
5.1 ± 0.3	3 ± 0.2	4 ± 0.2	1.2 ± 0.1	3C90	MHB2-5/3/4-3C90
				4A11	MHB2-5/3/4-4A11
				4B1	MHB2-5/3/4-4B1
7 ± 0.4	4 ± 0.2	4 ± 0.2	1.8 ± 0.1	3C90	MHB2-7/4/4-3C90
				4A11	MHB2-7/4/4-4A11
				4B1	MHB2-7/4/4-4B1
7 ± 0.4	4 ± 0.2	5 ± 0.2	1.8 ± 0.1	3C90	MHB2-7/4/5-3C90
				4A11	MHB2-7/4/5-4A11
				4B1	MHB2-7/4/5-4B1
7 ± 0.4	4 ± 0.2	6 ± 0.2	1.8 ± 0.1	3C90	MHB2-7/4/6-3C90
				4A11	MHB2-7/4/6-4A11
				4B1	MHB2-7/4/6-4B1
7 ± 0.4	4 ± 0.2	7 ± 0.2	1.8 ± 0.1	4B1	MHB2-7/4/7-4B1

## EMI-suppression products

## Miniature balun cores




## DATA SHEET STATUS DEFINITIONS

DATA SHEET STATUS	PRODUCT STATUS	DEFINITIONS
Preliminary specification	Development	This data sheet contains preliminary data. Ferroxcube reserves the right to make changes at any time without notice in order to improve design and supply the best possible product.
Product specification	Production	This data sheet contains final specifications. Ferroxcube reserves the right to make changes at any time without notice in order to improve design and supply the best possible product.

## DISCLAIMER

**Life support applications** — These products are not designed for use in life support appliances, devices, or systems where malfunction of these products can reasonably be expected to result in personal injury. Ferroxcube customers using or selling these products for use in such applications do so at their own risk and agree to fully indemnify Ferroxcube for any damages resulting from such application.

## PRODUCT STATUS DEFINITIONS

STATUS	INDICATION	DEFINITION
<b>Prototype</b>		These are products that have been made as development samples for the purposes of technical evaluation only. The data for these types is provisional and is subject to change.
<b>Design-in</b>		These products are recommended for new designs.
<b>Preferred</b>		These products are recommended for use in current designs and are available via our sales channels.
<b>Support</b>		These products are <b>not</b> recommended for new designs and may not be available through all of our sales channels. Customers are advised to check for availability.