

DATA SHEET

EMI-suppression beads on wire **EMI-suppression products**

Supersedes data of February 2002

2004 Sep 01

BEADS ON WIRE FOR EMI-SUPPRESSION

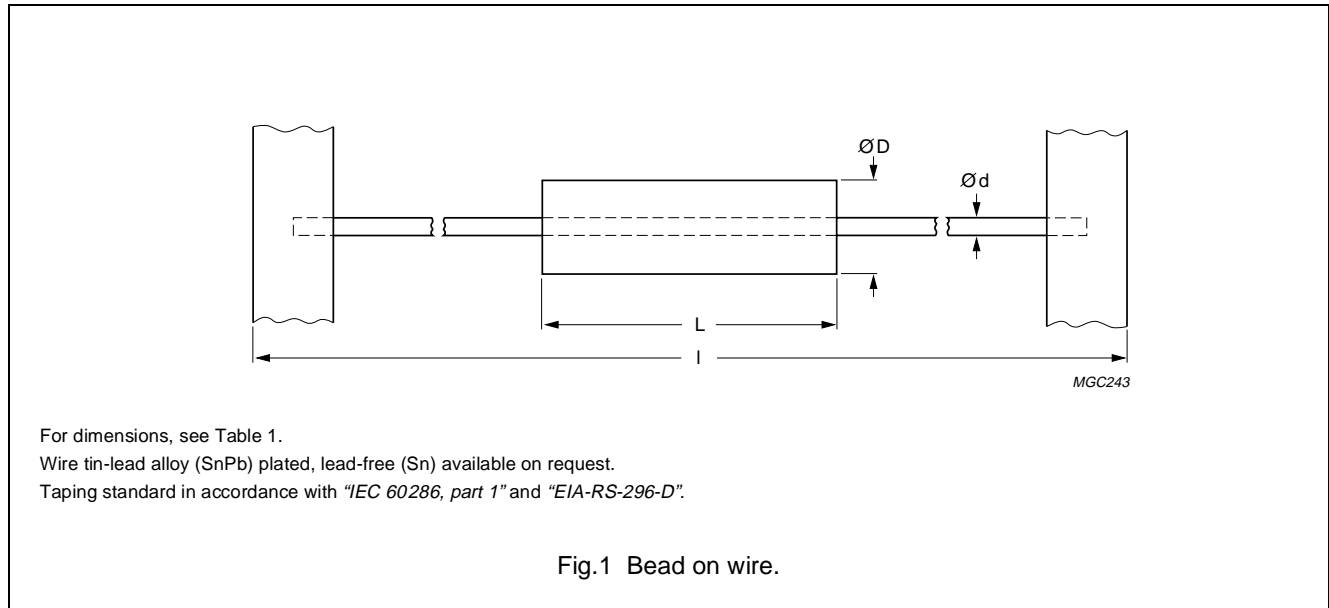


Table 1 Grades, parameters and type numbers; see Fig.1

GRADE	$ Z_{typ} (\Omega)^{(1)}$							DIMENSIONS (mm)				TYPE NUMBER
	at frequency (MHz)							$\varnothing D$	L	I	$\varnothing d$	
	1	3	10	25	30	100	300					
4S2	4	13	24	–	36	58	65	3.5 ± 0.2	$3.5 - 0.5$	64.4	0.64	BDW3.5/3.5-4S2
	5	16	33	–	49	75	88	3.5 ± 0.2	$4.7 - 0.5$	64.4	0.64	BDW3.5/4.7-4S2
	–	–	–	54	–	82	–	3.5 ± 0.25	5.25 ± 0.25	64.4	0.64	BDW3.5/5.3-4S2
	6	21	44	–	66	100	119	3.5 ± 0.2	6.0 ± 0.25	64.4	0.64	BDW3.5/6-4S2
	8	25	49	–	74	110	131	3.5 ± 0.2	6.7 ± 0.25	64.4	0.64	BDW3.5/6.7-4S2
	9	28	55	–	84	131	150	3.5 ± 0.2	7.6 ± 0.35	64.4	0.64	BDW3.5/7.6-4S2
	10	33	65	–	98	146	175	3.5 ± 0.2	8.9 ± 0.35	64.4	0.64	BDW3.5/8.9-4S2
	–	–	–	96	–	150	–	3.5 ± 0.25	9.5 ± 0.3	64.4	0.64	BDW3.5/9.5-4S2
	–	–	–	117	–	180	–	3.5 ± 0.25	11.4 ± 0.4	64.4	0.64	BDW3.5/11-4S2
	–	–	–	143	–	220	–	3.5 ± 0.25	13.8 ± 0.5	64.4	0.64	BDW3.5/14-4S2

Note

1. Typical values at 25 and 100 MHz, $|Z|_{min}$ is –20%. Other impedance values are for reference only.

EMI-suppression products

EMI-suppression beads on wire




DATA SHEET STATUS DEFINITIONS

DATA SHEET STATUS	PRODUCT STATUS	DEFINITIONS
Preliminary specification	Development	This data sheet contains preliminary data. Ferroxcube reserves the right to make changes at any time without notice in order to improve design and supply the best possible product.
Product specification	Production	This data sheet contains final specifications. Ferroxcube reserves the right to make changes at any time without notice in order to improve design and supply the best possible product.

DISCLAIMER

Life support applications — These products are not designed for use in life support appliances, devices, or systems where malfunction of these products can reasonably be expected to result in personal injury. Ferroxcube customers using or selling these products for use in such applications do so at their own risk and agree to fully indemnify Ferroxcube for any damages resulting from such application.

PRODUCT STATUS DEFINITIONS

STATUS	INDICATION	DEFINITION
Prototype		These are products that have been made as development samples for the purposes of technical evaluation only. The data for these types is provisional and is subject to change.
Design-in		These products are recommended for new designs.
Preferred		These products are recommended for use in current designs and are available via our sales channels.
Support		These products are not recommended for new designs and may not be available through all of our sales channels. Customers are advised to check for availability.